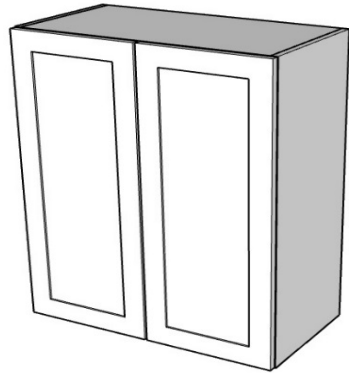


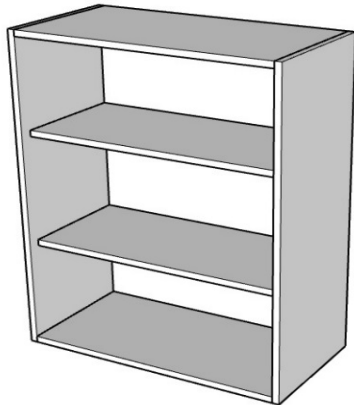
ASSEMBLY SCHEME - WALL CABINET

BASIC FULL DOOR

VIEW WITH DOOR

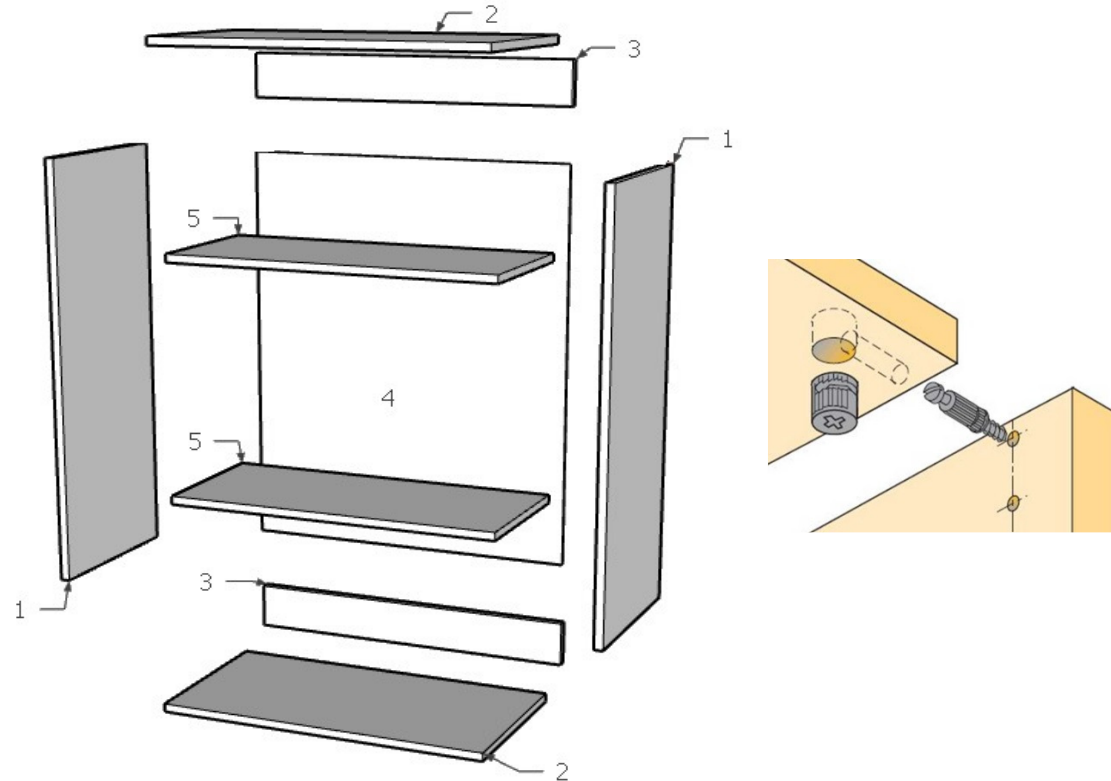


VIEW WITHOUT DOOR



LIST OF PARTS

Nº	DESCRIPTION	QUANTITY
1	RIGHT/LEFT SIDE	2
2	BOTTOM	2
3	STRETCHER	2
4	BACK	1
5	ADJUSTABLE SHELF	2



MOUNTING DEVICE INSIDE THE BOX

BACK CAN GO IN SEPARATE BOX

DOORS CAN BE IN SEPARATE BOXES