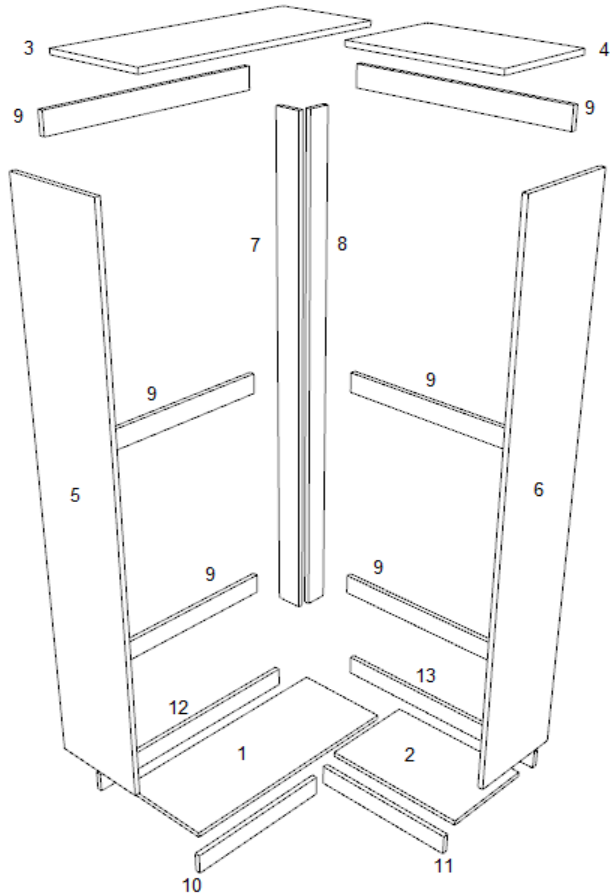


ASSEMBLY INSTRUCTIONS - CORNER BASE CLOSET

CODE: CORNER BASE CLOSET

PARTS LIST

VIEW



Nº	DESCRIPTION:	QUANTITY
1	BOTTOM	1
2	BOTTOM	1
3	TOP BOARD	1
4	TOP BOARD	1
5	LEFT SIDE	1
6	RIGHT SIDE	1
7	COLUMN	1
8	COLUMN	1
9	STRETCHER	6
10	TOE KICK	1
11	TOE KICK	1
12	BACK TOE KICK	1
13	BACK TOE KICK	1
14	ASSEMBLY KIT	1

CAM LOCK AND NUT SYSTEM

