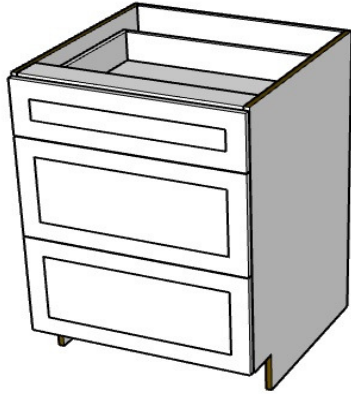


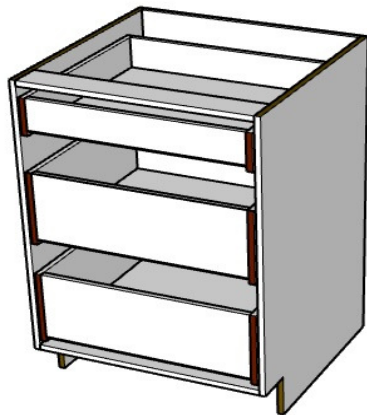
ASSEMBLY SCHEME - DRAWER

LIST OF PARTS

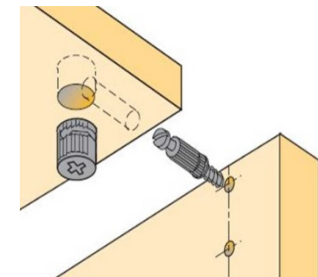
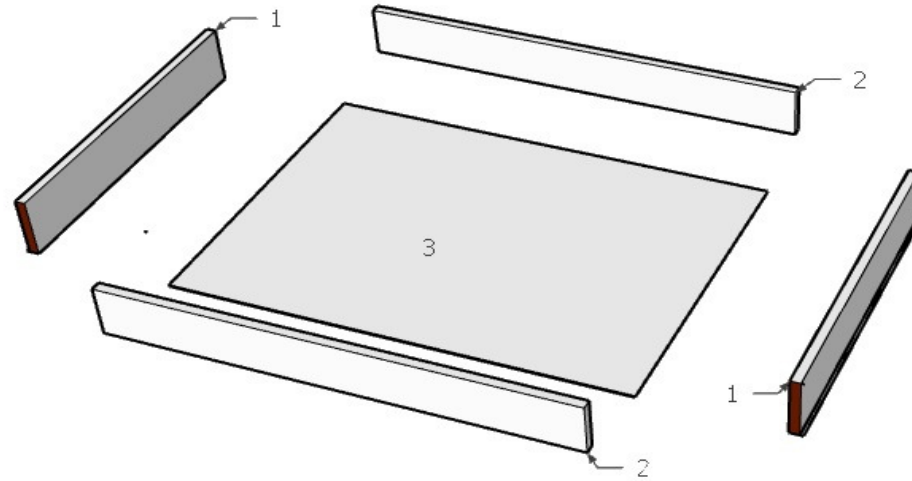
VIEW WITH DOOR



VIEW WITHOUT DOOR



№	DESCRIPTION	QUANTITY
1	DRAWER SIDE	2
2	DRAWER STRETCHER	2
3	BACK	1



MOUNTING DEVICE INSIDE THE BOX

BACK CAN GO IN SEPARATE BOX

DOORS CAN BE IN SEPARATE BOXES