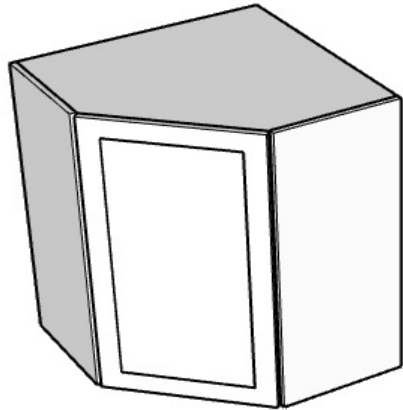


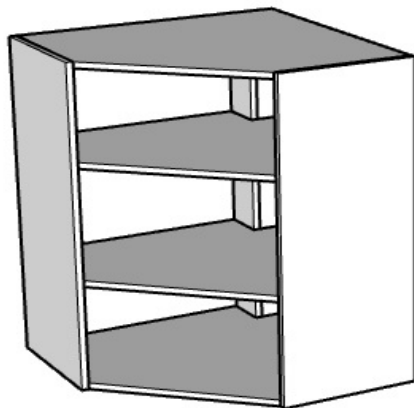
**ASSEMBLY SCHEME - 45° CORNER WALL**

**BASIC FULL DOOR**

**VIEW WITH DOOR**

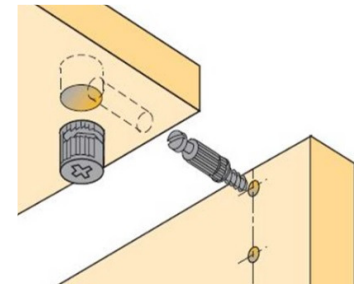
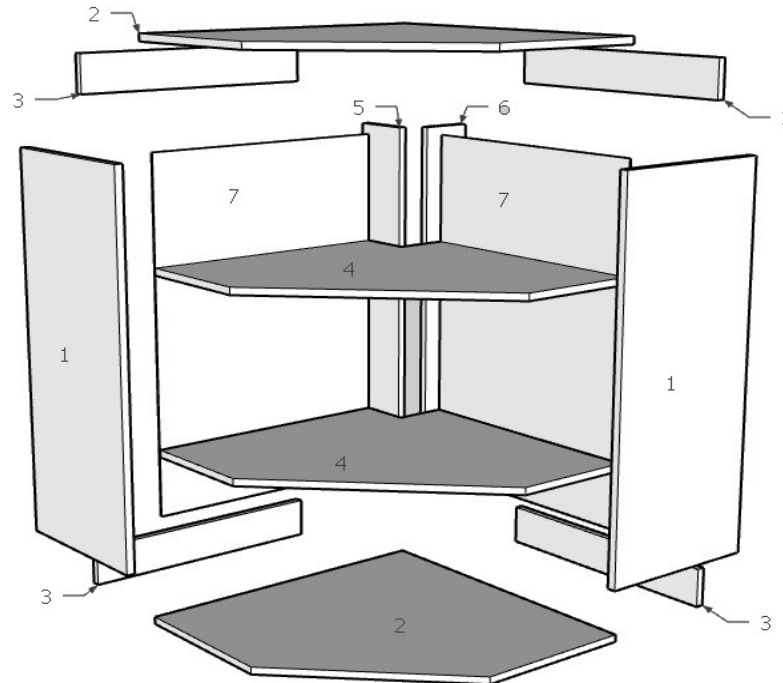


**VIEW WITHOUT DOOR**



**LIST OF PARTS**

Nº	DESCRIPTION	QUANTITY
1	RIGHT/LEFT SIDE	2
2	BOTTOM	2
3	STRETCHER	4
4	ADJUSTABLE SHELF	2
5	COLUMN PART 1	1
6	COLUMN PART 2	1
7	BACK	2



**MOUNTING DEVICE INSIDE THE BOX**

**BACK CAN GO IN SEPARATE BOX**

**DOORS CAN BE IN SEPARATE BOXES**