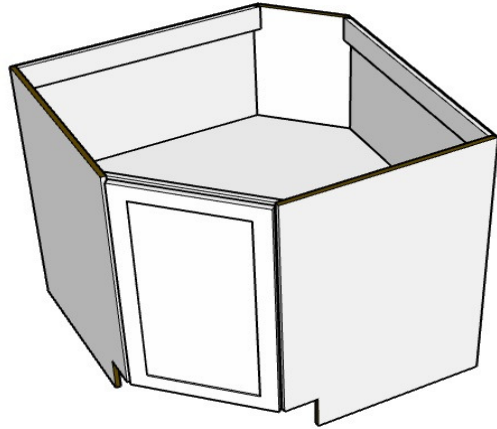


**ASSEMBLY SCHEME - 45° CORNER BASE**

**BASIC FULL DOOR**

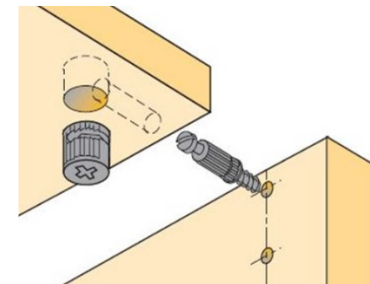
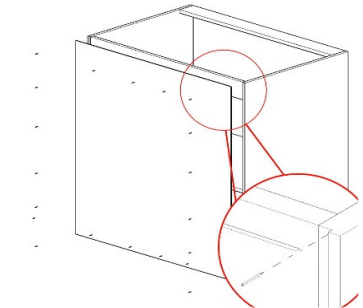
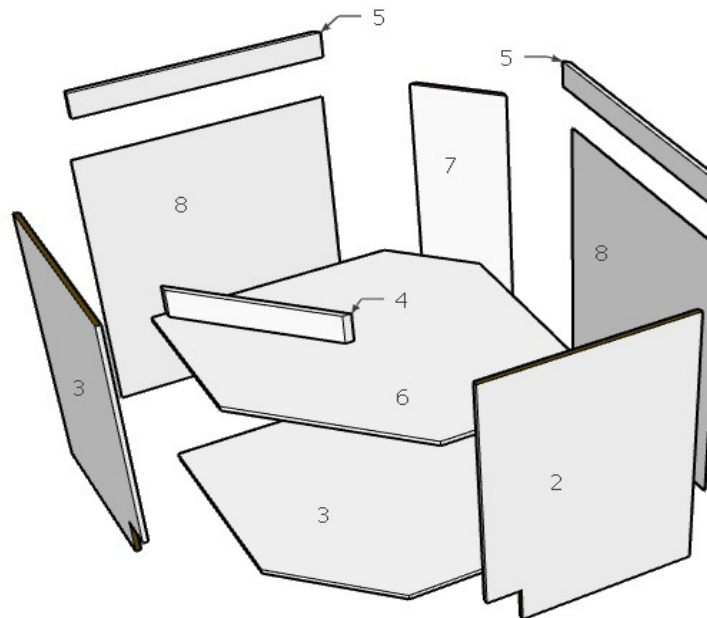
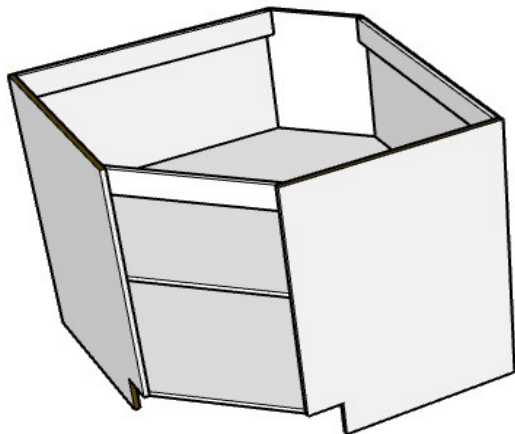
**LIST OF PARTS**

**VIEW WITH DOOR**



Nº	DESCRIPTION	QUANTITY
1	LEFT SIDE	1
2	RIGHT SIDE	1
3	BOTTOM	1
4	FRONT STRETCHER	1
5	BACK STRETCHER	2
6	ADJUSTABLE SHELF	1
7	COLUMN	1
8	BACK	2

**VIEW WITHOUT DOOR**



**MOUNTING DEVICE INSIDE THE BOX**

**BACK CAN GO IN SEPARATE BOX**

**DOORS CAN BE IN SEPARATE BOXES**