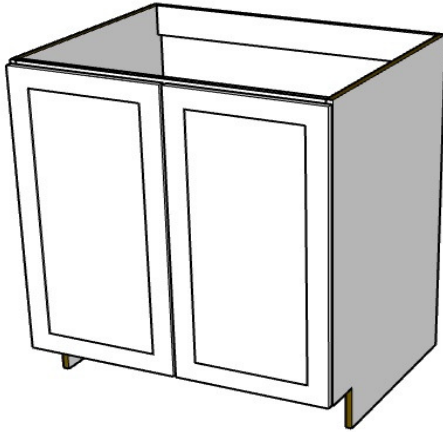


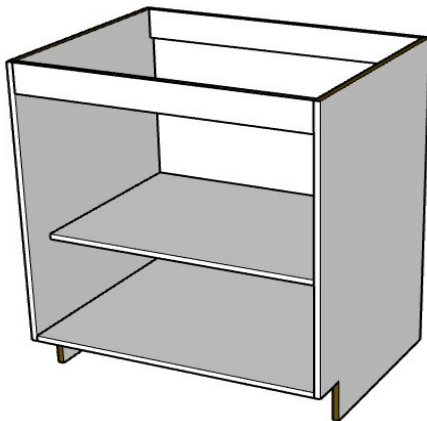
ASSEMBLY SCHEME - BASE SINK

BASIC FULL DOOR

VIEW WITH DOOR

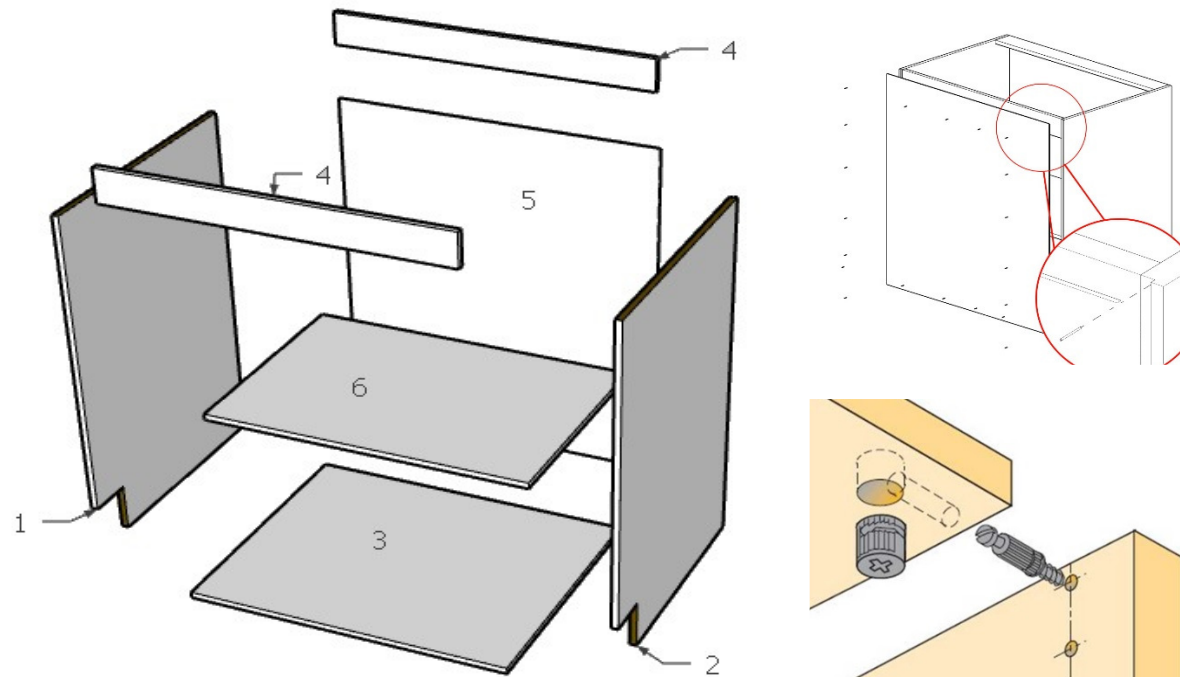


VIEW WITHOUT DOOR



LIST OF PARTS

Nº	DESCRIPTION	QUANTITY
1	LEFT SIDE	1
2	RIGHT SIDE	1
3	BOTTOM	1
4	STRETCHER	3
5	BACK	1
6	ADJUSTABLE SHELF	1



MOUNTING DEVICE INSIDE THE BOX

BACK CAN GO IN SEPARATE BOX

DOORS CAN BE IN SEPARATE BOXES

01 UNIT OF PART NUMBER 4 (STRATCHER) WILL NOT BE USED IN THIS MODEL